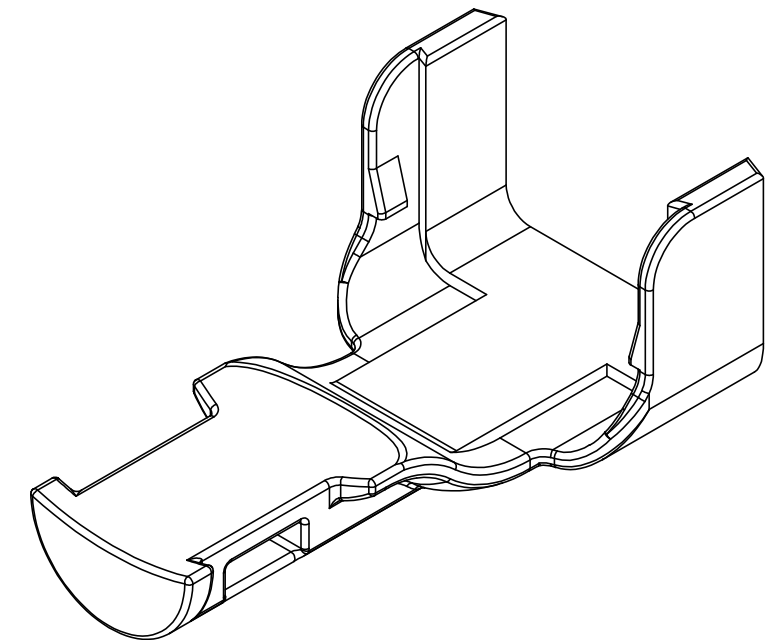



NOTES:

- PART No: D369 - STB - 3
 RANGE PREFIX ACCESSORY TYPE SHELL SIZE (3, 6 OR 9)
 (STB = STRAIGHT BACKSHELL)
- TEMP RANGE: -55°C TO +175°C.
 FLAMMABILITY: COMPLIES WITH EN2591-317 METHOD A.
- MATERIAL: TEMPERATURE AND CHEMICALLY RESISTANT THERMOPLASTIC.

SHELL SIZE	DIM 'A', MAX	NOMINAL MASS (g)
3	5.80	0.29
6	8.30	0.31
9	10.80	0.34



AA	DUK-66726	RBC	MJH	RBC	GLB	26/04/2016
ISSUE	CHANGE NOTE	DRAWN	CHECKED	APP. ENG.	APP. MARKETING	DATE

MATERIAL		THIS INFORMATION IS CONFIDENTIAL AND PROPRIETARY TO TYCO ELECTRONICS CORPORATION AND ITS WORLDWIDE SUBSIDIARIES AND AFFILIATES (TE). IT MAY NOT BE DISCLOSED TO ANYONE, OTHER THAN TE PERSONNEL, WITHOUT AUTHORIZATION FROM TE (www.TE.com).	 DEUTSCH ST LEONARDS ON SEA, EAST SUSSEX, TN38 9RF TEL. +44 (0) 1424 852721
SEE NOTES			
HEAT TREATMENT & FINISH			
PACKAGING		TITLE TYPE CUSTOMER DRAWING DRAWING NUMBER 611312-ENV	
SCALE	5:1		
DIMENSIONS IN MILLIMETRES UNLESS OTHERWISE STATED		STRAIGHT TIE-WRAP BACKSHELL ACCESSORY FOR D369	